

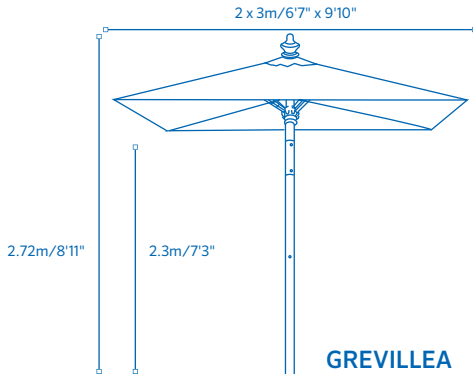
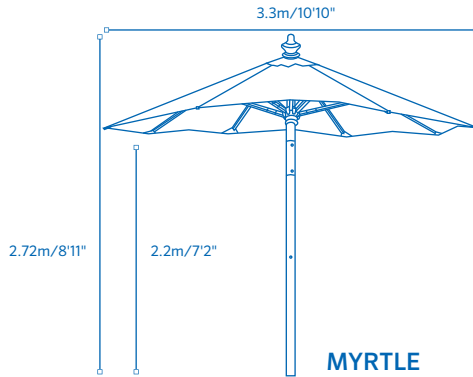


MARKET UMBRELLA

MYRTLE / GREVILLEA



ASSEMBLY GUIDE

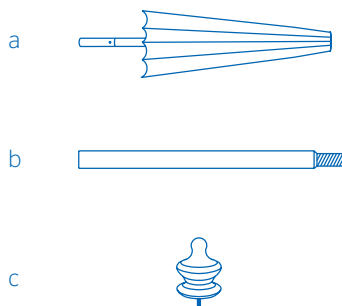


ASSEMBLY GUIDE

STEP 1

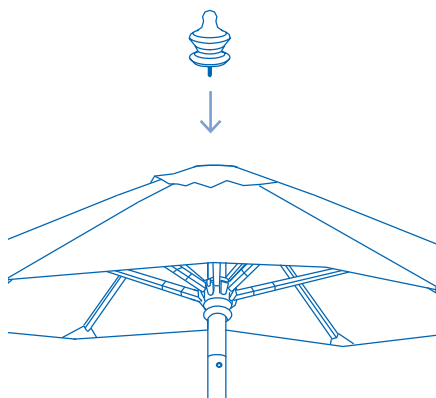
Take all parts out of the box and ensure they are all present.

- a) Umbrella frame with canopy x 1
- b) Lower pole x 1
- c) Finial x 1



STEP 2

Screw the finial into the pre-drilled hole at the top of the canopy. Ensure finial is secure, do not overtighten.



STEP 3

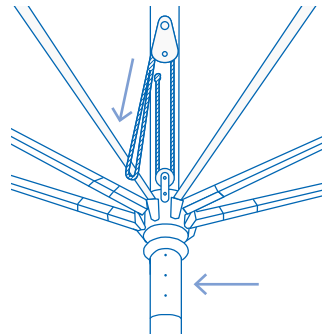
To assemble the umbrella, screw the top pole into the bottom pole until secure.



STEP 4

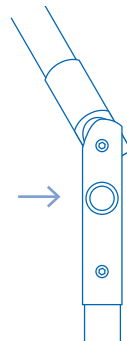
To open the umbrella, pull the cord down until the canopy is up past the pin hole, place the stop pin into the desired hole to hold the umbrella in place.

To close the umbrella, remove the stop pin and lower the canopy down, making sure you keep hold of the pulley cord whilst doing so.



STEP 5

You can tilt the umbrella by pressing the tilt button. Hold onto the top section of the pole as you do this.



Ensure canopy is closed when not in use. Close in windy conditions or when a storm approaches. Never allow the umbrella to flap in the wind; this could damage the canopy.

THANK YOU

FOR PURCHASING A COOLAROO PRODUCT

Exposure to ultraviolet (UV) radiation from the sun is the major cause of skin cancer. In some countries the UV radiation is strong enough to cause sunburn in just 11 minutes on a fine summers day. To prevent sun damage we recommend following the Sun Smart steps: slip on clothing, slop on sunscreen, slap on a hat, slide on sunglasses and seek shade.

To register your product go to coolaroo.com.au. The product code can be found printed above the barcode on the product packaging, alternatively you can find it on the relevant coolaroo.com.au product page.

CARE & MAINTENANCE

When not in use, close the umbrella, place a protective cover over it and store in a dry place.

If canopy is wet, allow to dry naturally opened up before storing.

If necessary, clean the fabric with a hose.

Components subject to turning and sliding can be treated with a non-staining lubricant spray (silicon-based).

Store in a dry place when not in use.

Attention: The schematics in this manual are for assembly and operation illustration only. They may differ from the umbrella's actual appearance.

We recommend that you insert the umbrella into an umbrella base or table (not included) to help secure the umbrella.



The best under the sun

Coolaroo is the leader in shade fabric technology. Our extensive range of attractive shade solutions is carefully manufactured to protect your home, garden and family from the harsh sun.

coolaroo.com.au

WARNING

When assembling and using this product, safety precautions should always be followed to reduce the risk of personal injury and damage to equipment. Please read all instructions before assembly and use.

At least two or more people are recommended for safe assembly.

Keep all children and pets away from assembly area.

Install on level ground.

Check all nuts and bolts for tightness before and during usage.

Close the umbrella in windy conditions or when a storm approaches. Never allow the umbrella to flap in the wind; this could damage the canopy.

Do not leave the umbrella open unattended.

Do not place the product near an open flame; or too close to any heat source.

For help with product assembly or for any other questions you may have, contact our Customer Service Department.

Australia Toll Free: 1800 331 521
New Zealand Toll Free: 0800 555 171
United States Ph: +1 407 772 7900
Middle East Ph: +971 4 881 7114
China Ph: +86 574 5626 8888



Gale Pacific Limited
145 Woodlands Drive,
Braeside, Victoria, 3195 Australia

Coolaroo is a registered trademark of Gale Pacific Limited



430498 / 1505