

# Coolaroo Exterior Retractable Window Shades

## WARNING:

It is strongly recommended that in strong wind conditions, your Exterior Window Shades are completely retracted to prevent damage to windows and your Window Shades.

Designed in Australia. Made in China.

### Gale Pacific Limited Product Warranty and Limitation of Liability

If, as a direct result of ultra-violet exposure, this product cracks, splits or tears ("defect") within 5 years after the date on which the product is purchased from Gale Pacific Limited ACN 082 263 778 ("Gale Pacific") or an authorised distributor or agent of Gale Pacific, will at its option, replace the fabric component of the product (but not any other component, such as the frame) free of charge or refund the cost of such replacement. This warranty is subject to the following conditions and limitations: **1.** All claims under this warranty must be made in writing addressed to Gale Pacific Limited, PO Box 892 Braeside, Victoria, 3195, Australia or, if the product was purchased in North America, to Gale Pacific Inc, PO Box 161268, Altamonte Springs, Florida 32716-1268, USA. All claims must be accompanied by a sample of the fabric for laboratory testing and proof of place and date of purchase of the product. **2.** Gale Pacific will not be liable for any claim made under this warranty in respect of any product in any of the following circumstances: • If the defect is contributed to or caused by any improper use of the product or usage of the product for purposes other than that for which the product was designed or intended. • If the defect occurs wholly or partly as a result of any act or omission of any person other than Gale Pacific. • If the product has been subjected to misuse, neglect, accident or abuse. • If the product is altered or modified in any way unless such modification has been approved in writing by Gale Pacific. • If the product is erected, installed or used in violation of, or in a manner that is inconsistent with, instructions or warnings furnished by Gale Pacific. **3.** This warranty does not cover: • Colour fading of the product (even if due to exposure of the product to ultra-violet rays) or a deterioration in the chemical composition of the fabric due to exposure to ultra-violet rays; or • Any damage to the product caused or contributed to by exposing the product to chemicals (including chlorine), placing the product near an open flame (including flames from a barbecue), tensioning the product beyond its tear and tensile capabilities or mechanical friction. In addition to the above warranty, the Trade Practices Act 1974 (Cth) and other state and territory legislation may imply warranties or conditions or impose liability on Gale Pacific in relation to the product or its supply which cannot, or can only to a limited extent, be excluded, restricted or modified. Except for those implied warranties or conditions and such liability, and for the warranty described above: • All warranties and conditions (whether express or implied, statutory or otherwise) relating to the product or its supply are expressly excluded; and • Gale Pacific will not be liable for any loss or damage suffered by any person (including the purchaser of the product) in any way relating to or arising from the product or its use (including loss or damage arising from the negligence of, or contributed to by, Gale Pacific). If liability for breach by Gale Pacific of a warranty or condition or any other liability imposed on Gale Pacific by legislation which cannot be excluded may be limited, Gale Pacific's liability is limited to the extent permitted by law, and if liability may be limited in any one of a number of ways, Gale Pacific's liability is limited in any one of the permitted ways chosen by Gale Pacific in its absolute discretion.

# Coolaroo Exterior Retractable Window Shades Installation Instructions

The Exterior Window Shade can be installed ✓ to the wall face ✓ to the side of a reveal or ✓ from the under side of the window eave or structure.

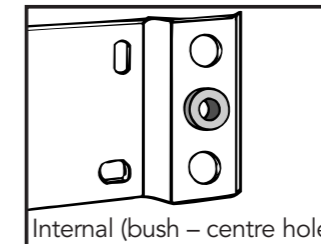
## Tools Required Include:

- Drill • 1/8" Drill Bit • Philips Head Screwdriver
- Pencil or Felt Tip Marker • Pliers

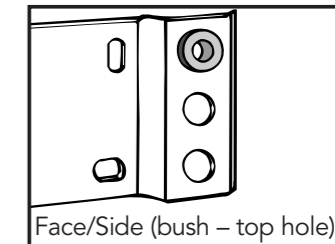
**IMPORTANT: DO NOT REMOVE THE PIN UNTIL BLIND IS ASSEMBLED IN BRACKETS (STEP 7).**

**Your window shade comes pre-tensioned but can be re-tensioned if required (STEP 8).**

**\*Please note for the longer blinds it is advisable to have two people to install.**



Internal (bush – centre hole)



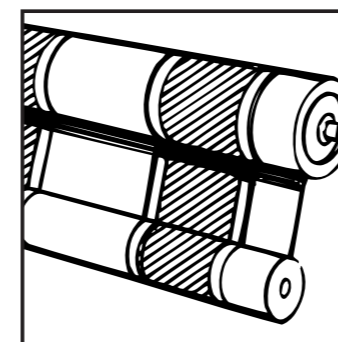
Face/Side (bush – top hole)

### STEP 4

Position the right hand side bracket where it is to be fitted, mark and drill. Install the bracket securely using screws provided. You may need to drill a pilot hole.

**\*PLEASE NOTE:**

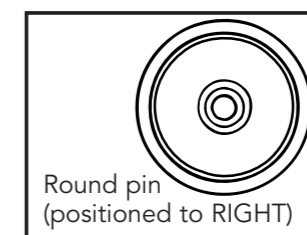
**Wall plugs (not supplied) may be required for brick work. Use an appropriate masonry drill bit.**



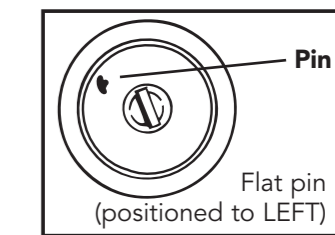
### STEP 1

Select the location for your Exterior Window Shade by holding the aluminium headrail in place where you would like it installed. Fully unroll the window shade. Hold the top rail, with the spring mechanism (flat pin) on your left side, ensure the fabric is going over the head rail and away from you. The

fabric should be positioned closest to the window with the front of the fabric (smooth side) facing you. Roll the top rail towards yourself until the blind is wound up.



Round pin (positioned to RIGHT)



Pin  
Flat pin (positioned to LEFT)

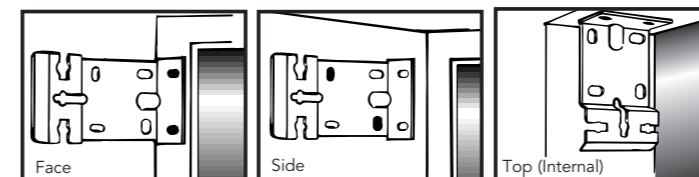
### STEP 5

Position the ROUND PIN end in the fitted bracket and mark the position for the mounting of the LEFT bracket. The flat pin sits vertically in the left bracket. Mark, drill and install ensuring the headrail is level horizontally.

### STEP 6

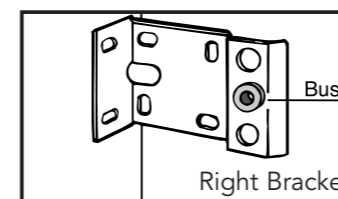
Mount the Exterior Window Shade in the mounting brackets, positioning the RIGHT end first.

**The Flat Pin (Left) must be installed vertically.**

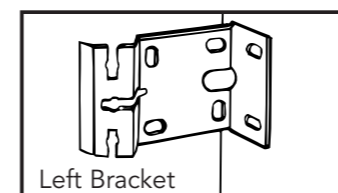


### STEP 2

Examine the window carefully and decide how the mounting brackets are to be installed.



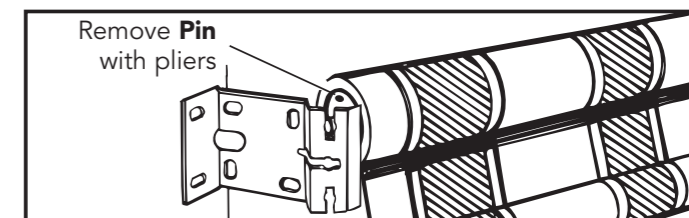
Bush  
Right Bracket



Left Bracket

### STEP 3

Facing the frame, the bracket with the grey plastic "bush" positioned in the middle hole, must be placed on your right hand side. For Exterior Window Shades fitted to the face or side of the window, the plastic "bush" should be positioned in the top hole. For installation from the top (Internal) the "bush" should be in the centre space.



### STEP 7

Once the shade is installed in the brackets, remove the pin on the spring mechanism on the left side next to the flat pin. Your exterior window shade is ready to be used. **IF THE PIN IS REMOVED PRIOR TO INSTALLATION OR THE SHADE NEEDS RE-TENSIONING FOLLOW STEP 8**



• Window Shades • Umbrellas • Shade Sails • Gazebos • Shade Fabrics •

Australia Toll Free: 1800 331 521 New Zealand Toll Free: 0800 555 171 United States Ph: +1 407 333 1038  
Middle East Ph: +971 4 881 7114 Europe Ph: +49 682 1920640 China Ph: +86 574 5626 8888

**coolaroo**

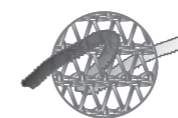
MADE FOR LIFE

coolaroo.com

443474  
BCA/GPL860



90% UV Block



Breathes to keep you cooler



Easy installation



5 year fabric warranty against UV degradation

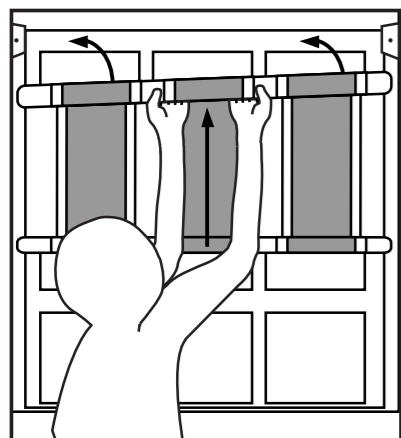
**coolaroo**

MADE FOR LIFE

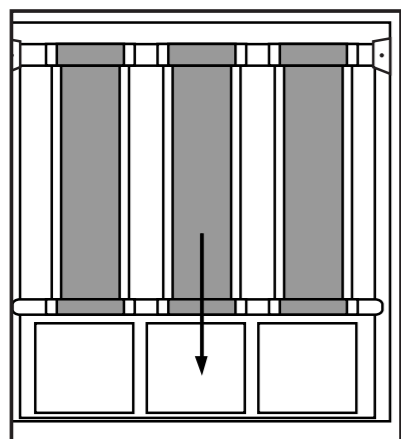
coolaroo.com

**STEP 8**  
**TENSIONING THE RETRACTABLE BLIND (IF REQUIRED)**

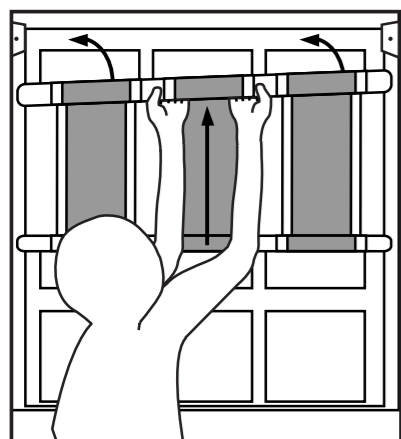
Your Exterior Window Shade comes pre-tensioned. If your shade does require re-tensioning please follow the easy steps listed below.



**STEP 8-1**  
 Begin with the blind drawn halfway down. Ensure the ratchet is locked in place by rocking the headrail back and forth until the tension is engaged. Take the blind out of the brackets, holding the top rail, with the spring mechanism (flat pin) on your left side, ensure the fabric is going over the head rail and away from you (so the fabric is closest to the window). Roll the top rail towards yourself until all the blind is wound up.

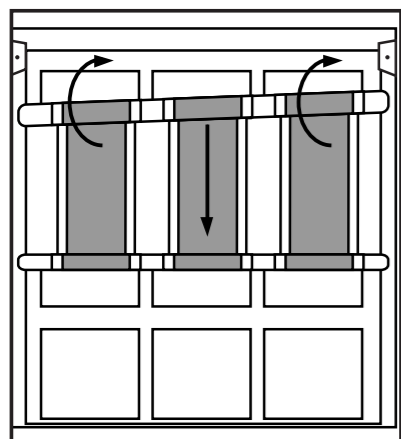


**Step 8-2**  
 Place the wound up blind in the pre-installed brackets with the spring mechanism (flat pin) on your left and the roller pin on your right. Let the blind unroll down by itself. Ensure the ratchet is locked by pulling down on the bottom rail with a short, sharp tug.

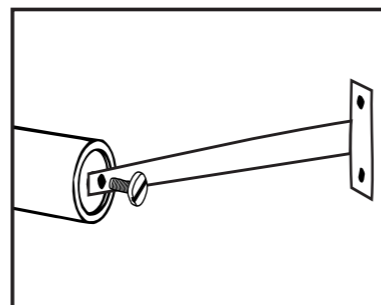


**STEP 8-3**  
 Take the blind out of the brackets and repeat steps 8-1 and 8-2 until you have the desired tension. To check the tension pull down the bottom rail with a short sharp tug. Only pull the blind down fully (to set tension) a maximum of 3 times otherwise the spring may be damaged from over tensioning.

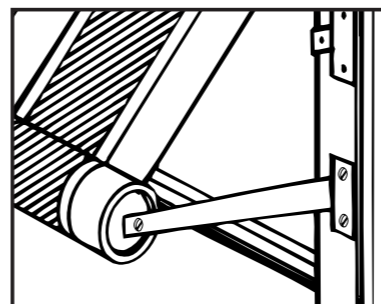
**CAUTION**  
**DO NOT OVER-TENSION. DAMAGE CAUSED TO THE HEADRAIL AS A RESULT OF OVER-TENSIONING WILL NOT BE COVERED UNDER THE WARRANTY.**



**STEP 8-4 (if required) Reducing tension**  
 Ensure ratchet is locked in place before removing the blind from the bracket. To reduce tension, ensure the Exterior Window Shade is fully up, remove it from the brackets and partially unroll it 2-3 times turning the head rail by hand (top away from you). Replace it in the mounting brackets and repeat if required.



**STEP 9**  
 Attach the base rail arms to the base rail using the large round head screws. Apply light tension to the Exterior Window Shade and mark where the base rail arms are to be fixed. Leave at least 1/2 turn of fabric around the headrail, as this will make it easier to retract the blind after installation.



**STEP 10**  
 Drill into wall or frame and fix the base rail arm into place using the screws provided. **(Wall Plugs may be needed)**

**RETRACTING YOUR WINDOW SHADE**

To retract the window shade, remove the screws locating the bottom rail to the brackets. In one smooth movement, pull down the bottom rail a short distance and then lift upward, keeping the window shade moving until it reaches the desired height. Avoid letting the window shade spin upwards without holding it (damage may occur to the spring mechanism). This may happen if there is too much spring tension. Too much tension may cause the spring mechanism to rapidly grab and lock. If this is a problem, try reducing the tension slightly. Correct tension should have the window shade retracting all the way to the top and with enough tension left to snugly hold the bottom rail against the top roll of fabric.

**IMPORTANT:**

For the Exterior Window Shade to operate correctly:

- ✓ Mounting brackets must be horizontally level.
- ✓ The flat pin on the LEFT end of the head rail must be installed vertically.
- ✓ The window shade should be installed so that the fabric rolls down between the head rail and the window.
- ✓ The Exterior Window Shade must be pulled from the centre of the bottom rail - not from the side.

**CAUTION:**

**DO NOT OVER TENSION YOUR EXTERIOR WINDOW SHADE**

Follow tensioning instructions carefully. Contact Gale Pacific Limited prior to installation if advice is required. When new, the window shade may lift unevenly, leaving the bottom rail at an angle. This is due to the hem on one side rolling up tighter than the other side, and may occur if the bottom rail is not lifted from the centre. A slight increase in spring tension may help overcome this, or try pulling the shade down and lifting the bottom rail a little closer to the lowest side.

**CARE INSTRUCTIONS:**

Your window shade may be cleaned using a solution of mild detergent and water. Apply the solution with a sponge or a very soft brush. Let the solution stand on the fabric for 10 minutes and then rinse thoroughly with water. Do not put the fabric in your washing machine, clothes drier, or scrub it with a stiff brush, scouring pad or abrasive cleaner.