

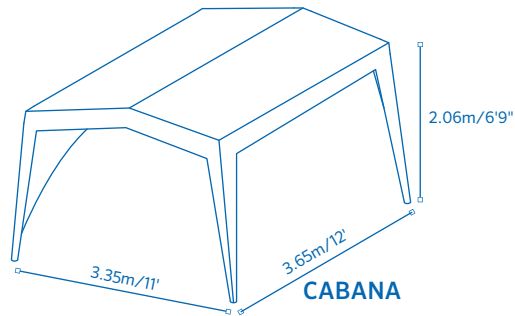


GAZEBO

CABANA



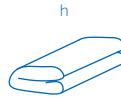
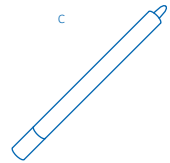
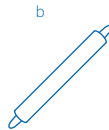
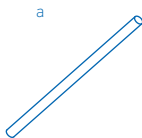
ASSEMBLY GUIDE



STEP 1

Take all parts out of the box and ensure they are all present.

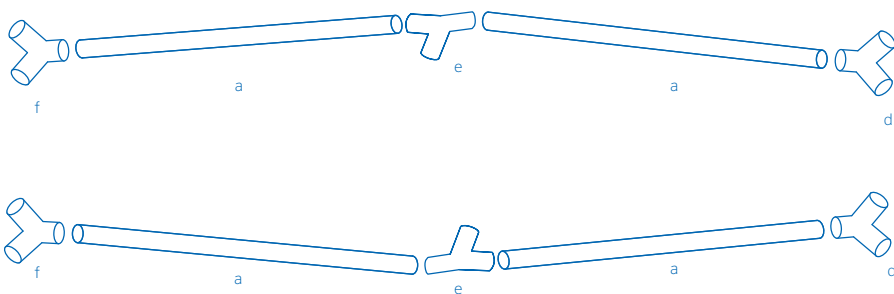
- a) Common pole x 14
- b) Centre pole x 3
- c) Lower leg pole x 4
- d) Right plastic moulded corner x 2
- e) Centre plastic moulded corner x 2
- f) Left plastic moulded corner x 2
- g) Metal peg x 4
- h) Fabric cover x 1



ASSEMBLY GUIDE

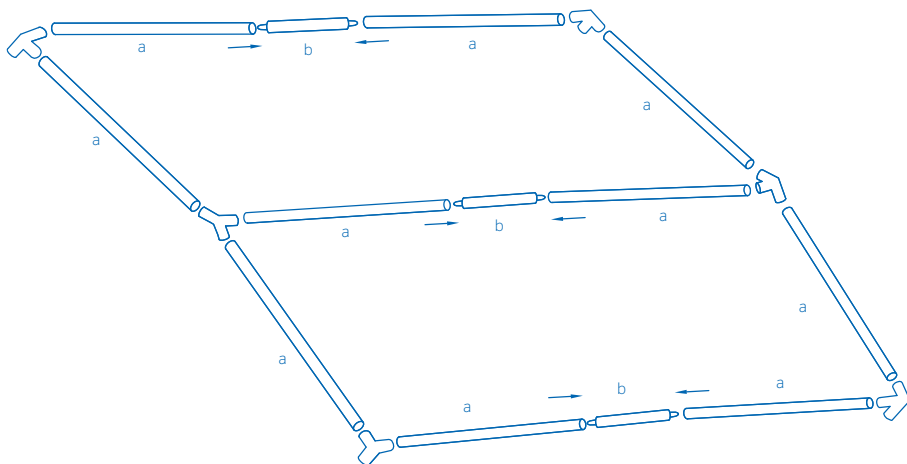
STEP 2

Connect four common poles (a) to plastic moulded corners (d), (e) and (f) as shown in diagram to form gazebo roof ends.



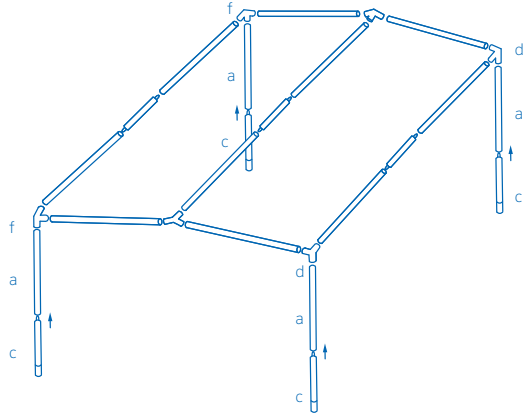
STEP 3

Connect six common poles (a) to centre poles (b) and use to connect gazebo roof ends as shown in diagram.



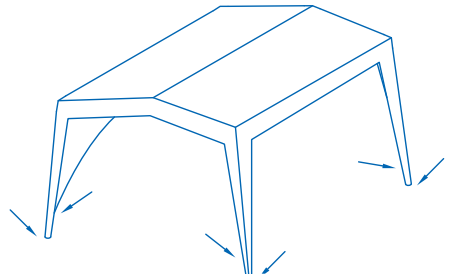
STEP 4

Connect the remaining four common poles (a) to lower leg poles (c) and connect to completed roof frame as shown in diagram.



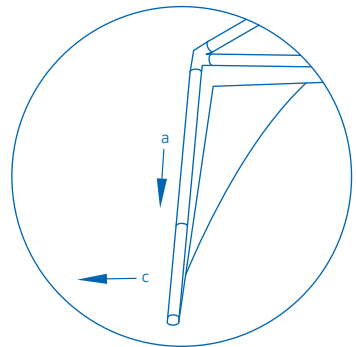
STEP 5

Place the fabric cover (h) over the gazebo frame and secure with metal hooks into desired hole at the bottom of pole (c). Then use the metal pegs to secure each corner of the cover to the ground.



STEP 6

The height of the back of the canopy can be adjusted by removing the lower leg poles at the back. Secure the cover to the bottom of the upper leg poles with hooks and use metal pegs to secure to the ground.



Ensure gazebo is closed when not in use. Dismantle before strong storms approach. Never allow to flap in the wind; this could damage the canopy.



The best under the sun

Coolaroo is the leader in shade fabric technology. Our extensive range of attractive shade solutions is carefully manufactured to protect your home, garden and family from the harsh sun.

coolaroo.com.au

WARNING

When assembling and using this product, safety precautions should always be followed to reduce the risk of personal injury and damage to equipment. Please read all instructions before assembly and use.

At least two or more people are recommended for safe assembly.

Keep all children and pets away from assembly area.

Install on level ground.

Check all connections for tightness before and regularly during use.

Do not leave the gazebo open unattended for long periods of time.

Do not place the product near an open flame; or too close to any heat source.

For help with product assembly or for any other questions you may have, contact our Customer Service Department.

Australia Toll Free: 1800 331 521
New Zealand Toll Free: 0800 555 171
United States Ph: +1 407 772 7900
Middle East Ph: +971 4 881 7114
China Ph: +86 574 5626 8888



Gale Pacific Limited
145 Woodlands Drive,
Braeside, Victoria, 3195 Australia

Coolaroo is a registered trademark of Gale Pacific Limited



430556 / 1505

THANK YOU

FOR PURCHASING A COOLAROO PRODUCT

Exposure to ultraviolet (UV) radiation from the sun is the major cause of skin cancer. In some countries the UV radiation is strong enough to cause sunburn in just 11 minutes on a fine summers day. To prevent sun damage we recommend following the Sun Smart steps: slip on clothing, slop on sunscreen, slap on a hat, slide on sunglasses and seek shade.

To register your product go to coolaroo.com.au. The product code can be found printed above the barcode on the product packaging, alternatively you can find it on the relevant coolaroo.com.au product page.

CARE & MAINTENANCE

When not in use, dismantle the gazebo, place in bag and store in a dry place.

If the cover is wet, allow to dry naturally opened up before storing.

If necessary, clean the fabric with a hose.

Components subject to turning and sliding can be treated with a non-staining lubricant spray (silicon-based).